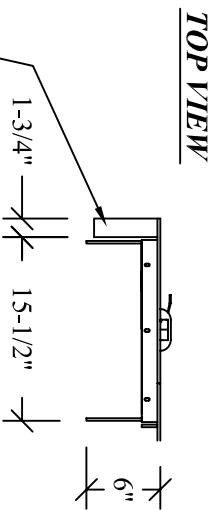
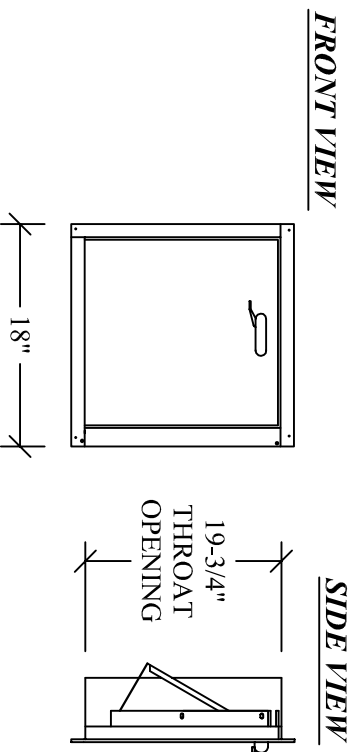


15X18 HAND OPERATED CHUTE INTAKE DOOR (BOTTOM HINGED)

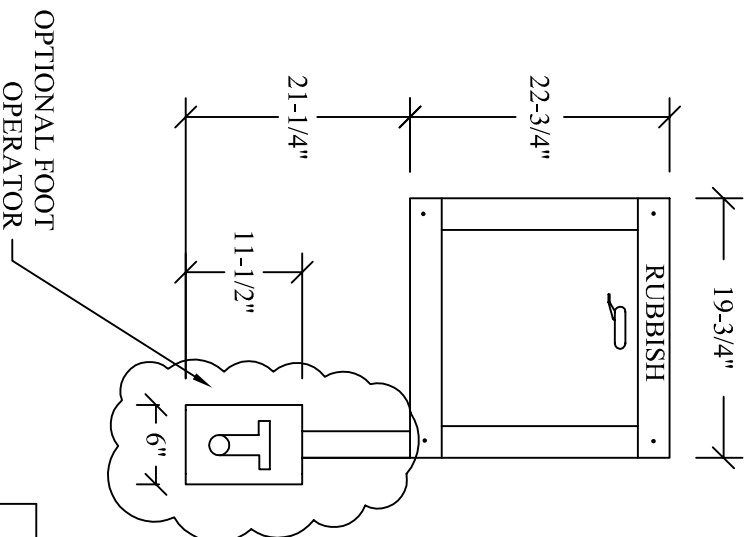
DOORS COMPLETE WITH SELF CLOSING
HYDRAULIC CYLINDERS, SELF
LATCHING TRIGGER ASSEMBLY AND
1-1/2 HOUR ULC OR UL FIRE RATING

THE DOOR FRAME IS COVERED WITH
22ga. STAINLESS STEEL No.4 FINISH
TRIM WITH EMBOSS LETTERING
"RUBBISH" OR PLAIN TOP TRIM PIECE.



CONCEALED CLOSER MECHANISM INSIDER
SERVICEABLE ENCLOSURE

**FRONT VIEW W/
STAINLESS STEEL TRIM**



THIS DRAWING IS PROPERTY
OF WESTERN CHUTES
1-800-755-2488

WESTERN CHUTES

JOB NAME:

DWG. # BH1215

DB: EP

DATE: 10/5/04

SCALE:

REVISIONS	
NO.	DATE