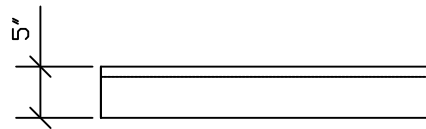
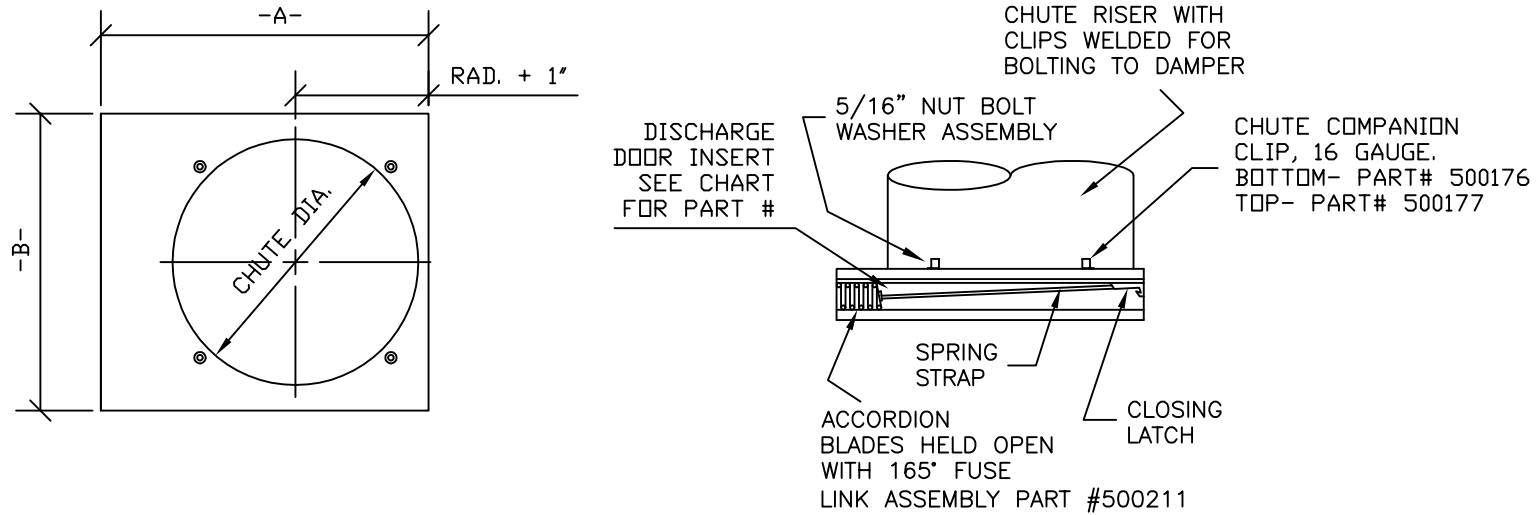


HORIZONTAL, FIRE RATED CHUTE DISCHARGE DOOR ASSEMBLY



UL RATED ACCORDION DAMPER ASSEMBLY

DOOR ASSEMBLY CONSISTS OF A SET OF ACCORDION STYLE BLADES, HELD OPEN WITH A FUSIBLE LINK. WHEN HEAT RISES ABOVE 165° F. LINK MELTS AND TWO SPRING STEEL STRAPS PULL BLADES ACROSS CHUTE OPENING.

1-1/2 HOUR UL "B" LABELED DISCHARGE DOOR # R5531

DIAMETER OF CHUTE	ASSEMBLY PART NUMBER	-A-	-B-	INSERT PART NUMBER
18"	500189	26"	22"	500576
20"	500190	28"	24"	500577
24"	500191	32"	28"	500212
28"	500192	36"	32"	500213
30"	500193	40"	34"	500578
36"	500194	46"	40"	500579
48"	500729	58"	52"	500730

EXTENSION COLLARS FOR THIS DISCHARGE DOOR CAN BE FOUND IN FIRE RATED HORIZONTAL ACCESSORIES IN THE DISCHARGE DOOR PARTS & ACCESSORIES SECTION.