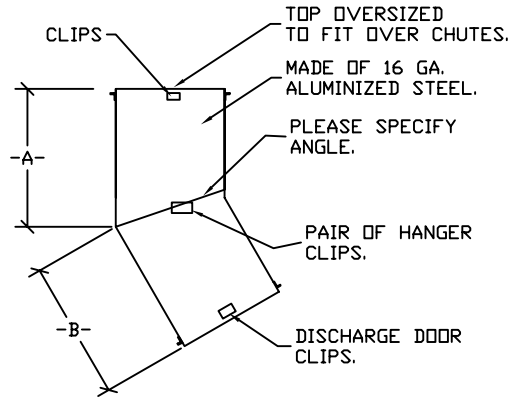
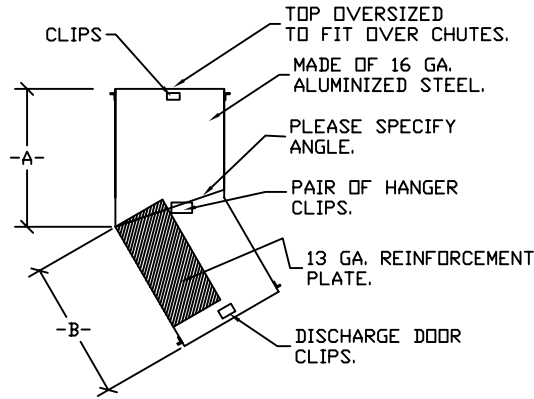


ROUND SINGLE OFFSET

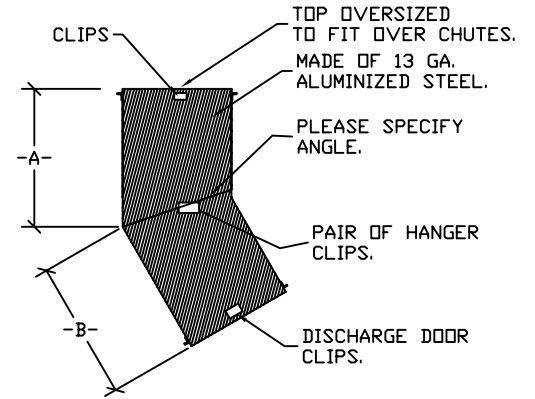
TYPE WM, 16 GA.



TYPE M, 16 GA. W/13 GA. IMPACT PLATE



TYPE W, 13 GA.



A+B= NOT TO EXCEED 4'

SKU	CHUTE SIZE	OFFSET THICKNESS
501031	18" DIAMETER	"W" SERIES 13 GA.
501018	18" DIAMETER	"M" SERIES 16 GA. W/13 GA. IMPACT PLATE.
501005	18" DIAMETER	"WM" SERIES 16 GA.
500236	20" DIAMETER	"W" SERIES 13 GA.
500544	20" DIAMETER	"M" SERIES 16 GA. W/13 GA. IMPACT PLATE.
500235	20" DIAMETER	"WM" SERIES 16 GA.
500238	24" DIAMETER	"W" SERIES 13 GA.
500547	24" DIAMETER	"M" SERIES 16 GA. W/13 GA. IMPACT PLATE.
500237	24" DIAMETER	"WM" SERIES 16 GA.
500242	28" DIAMETER	"W" SERIES 13 GA.
500549	28" DIAMETER	"M" SERIES 16 GA. W/13 GA. IMPACT PLATE.
500241	28" DIAMETER	"WM" SERIES 16 GA.
500244	30" DIAMETER	"W" SERIES 13 GA.
500551	30" DIAMETER	"M" SERIES 16 GA. W/13 GA. IMPACT PLATE.
500243	30" DIAMETER	"WM" SERIES 16 GA.
500246	36" DIAMETER	"W" SERIES 13 GA.
500553	36" DIAMETER	"M" SERIES 16 GA. W/13 GA. IMPACT PLATE.
500245	36" DIAMETER	"WM" SERIES 16 GA.
501004	CUSTOM UPCHARGE	

REVISIONS	
NO.	DATE

THIS DRAWING IS PROPERTY
OF WESTERN CHUTES
1-800-755-2488

WESTERN CHUTES

JOB NAME:

DB:

DATE:

SCALE: