



Time Delay Photo Eye for Trash Compactors



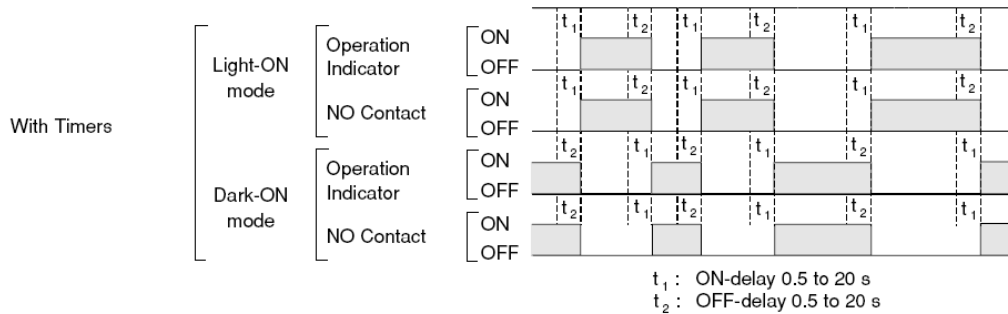
FEATURES:

- Universal AC/DC supply voltage
- Detects shiny objects
- Long-range diffuse reflective sensors detect opaque materials as small as 3.15 inches
- Built-in ON and OFF delay timer (0.5 to 20 seconds)
- Switch selectable light-on/dark-on operation
- Mutual interference protection
- Includes 3 A relay, mounting bracket and reflector
- Sensing distance up to 23 feet with included reflector
- Light source is pulse modulated infrared LED

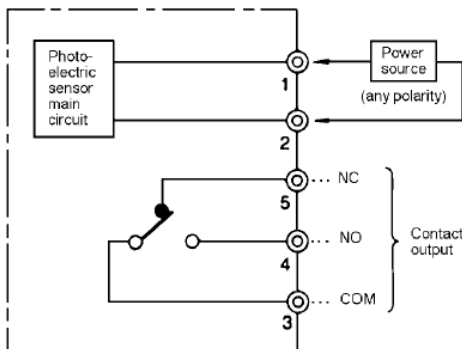
STANDARDS AND CERTIFICATIONS:

- UL Listed, File Number E41515
- CSA Certified, File Number LR45951

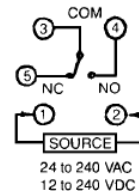
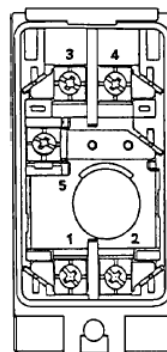
■ TIMING CHART



■ OUTPUT CIRCUIT DIAGRAM



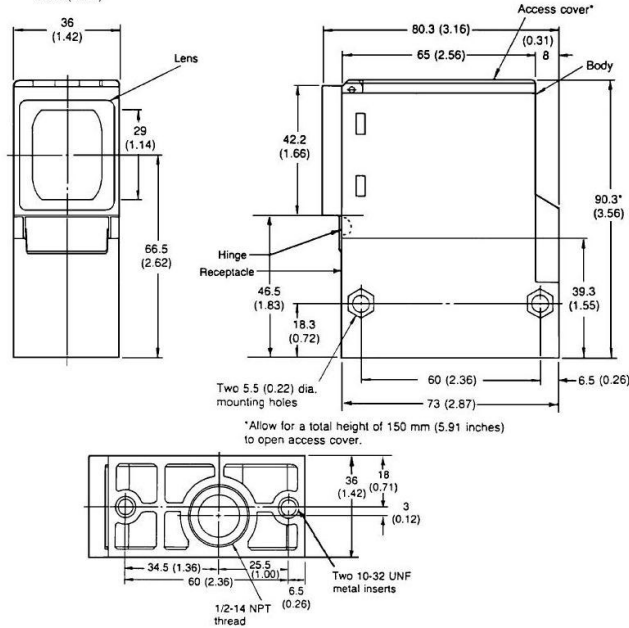
■ CONNECTIONS



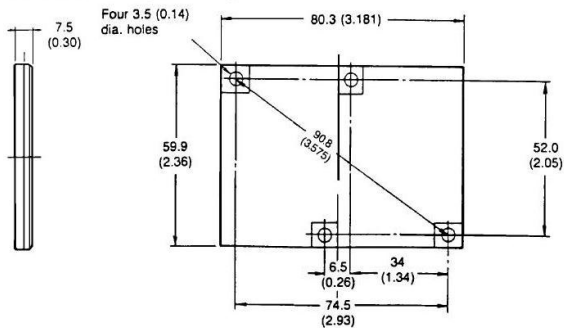


Dimensions

■ **SENSOR**
mm (inch)



■ **REFLECTOR (included)**



■ **MOUNTING BRACKET (included)**

