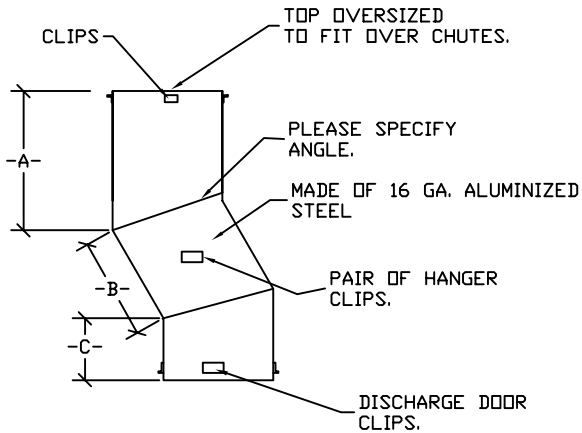
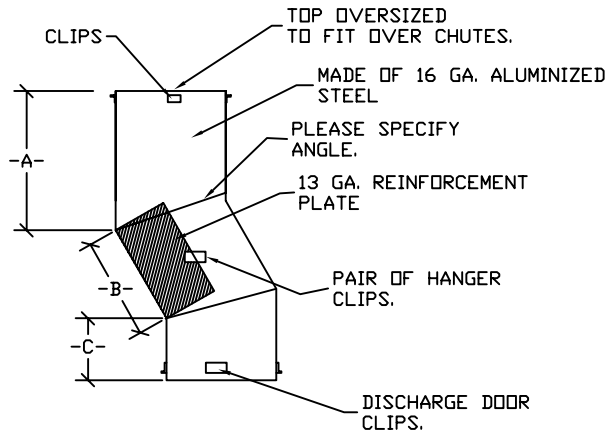


ROUND DOUBLE OFFSET

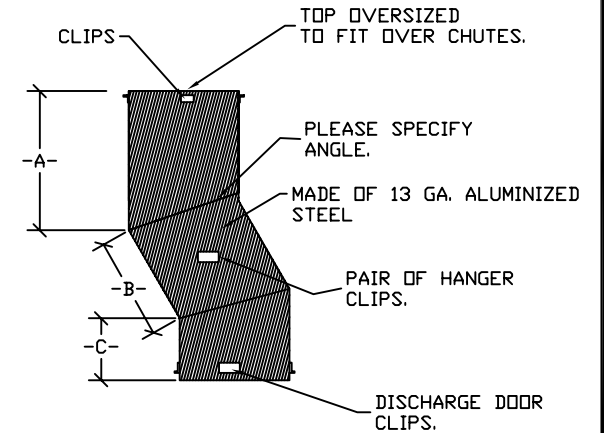
TYPE WM, 16 GA.



TYPE M, 16 GA. W/13 GA. IMPACT PLATE



TYPE W, 13 GA.



$A+B+C = \text{NOT TO EXCEED } 4'$

SKU	CHUTE SIZE	OFFSET THICKNESS
501036	18" DIAMETER	"W" SERIES 13 GA.
501024	18" DIAMETER	"M" SERIES 16 GA. W/13 GA. IMPACT PLATE.
501011	18" DIAMETER	"WM" SERIES 16 GA.
500248	20" DIAMETER	"W" SERIES 13 GA.
500543	20" DIAMETER	"M" SERIES 16 GA. W/13 GA. IMPACT PLATE.
500247	20" DIAMETER	"WM" SERIES 16 GA.
500250	24" DIAMETER	"W" SERIES 13 GA.
500546	24" DIAMETER	"M" SERIES 16 GA. W/13 GA. IMPACT PLATE.
500249	24" DIAMETER	"WM" SERIES 16 GA.
500252	28" DIAMETER	"W" SERIES 13 GA.
500548	28" DIAMETER	"M" SERIES 16 GA. W/13 GA. IMPACT PLATE.
500251	28" DIAMETER	"WM" SERIES 16 GA.
500254	30" DIAMETER	"W" SERIES 13 GA.
500550	30" DIAMETER	"M" SERIES 16 GA. W/13 GA. IMPACT PLATE.
500253	30" DIAMETER	"WM" SERIES 16 GA.
500256	36" DIAMETER	"W" SERIES 13 GA.
550552	36" DIAMETER	"M" SERIES 16 GA. W/13 GA. IMPACT PLATE.
500255	36" DIAMETER	"WM" SERIES 16 GA.
501004	CUSTOM UPCHARGE	

REVISIONS	
NO.	DATE

THIS DRAWING IS PROPERTY
OF WESTERN CHUTES
1-800-755-2488

WESTERN CHUTES	JOB NAME:	DB:	DATE:	SCALE:
----------------	-----------	-----	-------	--------