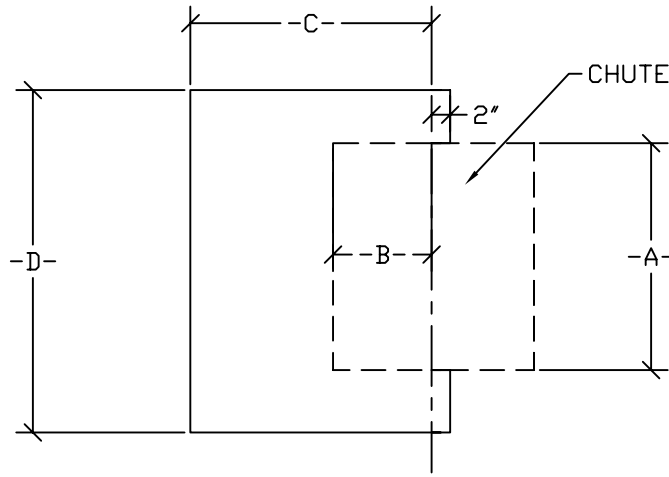


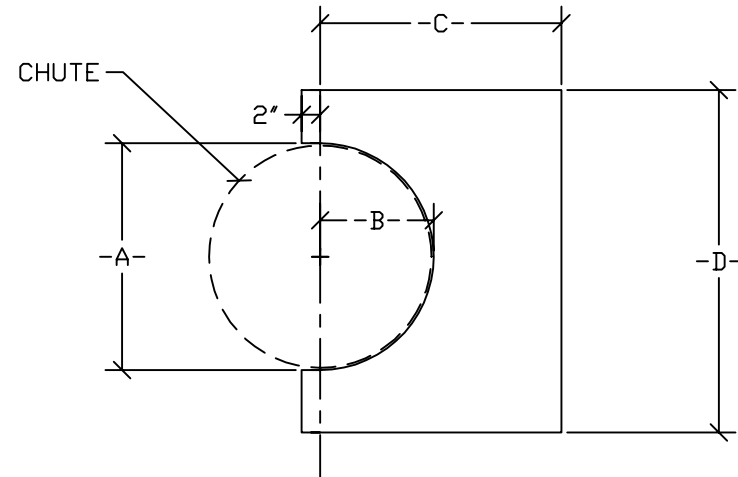
DRAFT STOPS

FOR SQUARE CHUTES

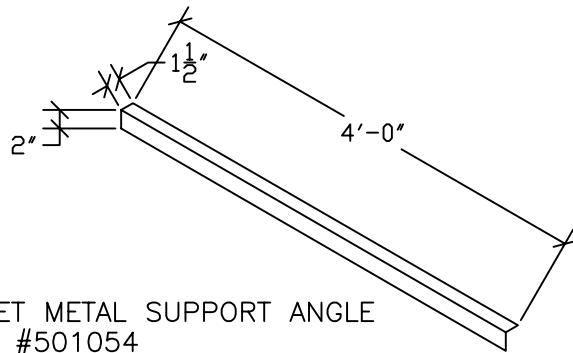


TWO PIECES INCLUDED
20 GA. GALVANIZED. CENTER LINE

FOR ROUND CHUTES



TWO PIECES INCLUDED
20 GA. GALVANIZED.



SHEET METAL SUPPORT ANGLE
SKU #501054

CHUTE NOMINAL SIZE	-A-	-B-	-C-	-D-	PART #
18"	18-1/2"	9-1/4"	14"	28"	500990
20"	20-1/2"	10-1/4"	16"	32"	500991
24"	24-1/2"	12-1/4"	18"	36"	500992
28"	28-1/2"	14-1/4"	20"	40"	500993
30"	30-1/2"	15-1/4"	22"	44"	500994
36"	36-1/2"	18-1/4"	24"	48"	500995

REVISIONS	
NO.	DATE

THIS DRAWING IS PROPERTY
OF WESTERN CHUTES
1-800-755-2488

WESTERN CHUTES

JOB NAME:

DB:

DATE:

SCALE: