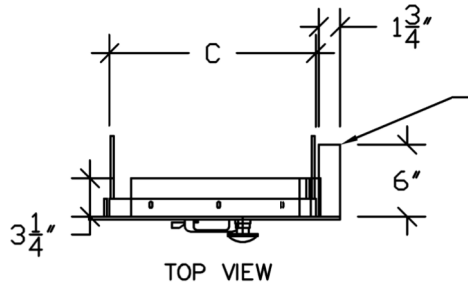


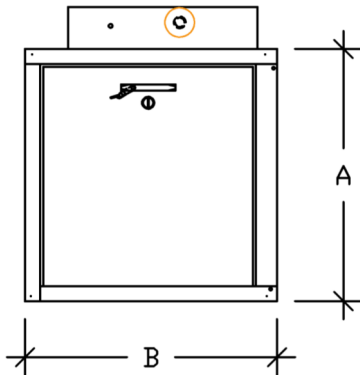
# PNEUMATIC OPERATED ADA COMPLIANT INTAKE DOOR



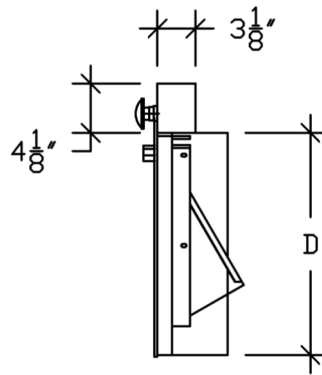
CONCEALED  
CLOSER  
MECHANISM  
INSIDE  
SERVICABLE  
ENCLOSURE

THE DOOR FRAME IS COVERED WITH 22ga. STAINLESS STEEL No.4 FINISH WITH EMBOSSED LETTERING "RUBBISH" OR "RECYCLE" ON TOP OF TRIM PIECE.

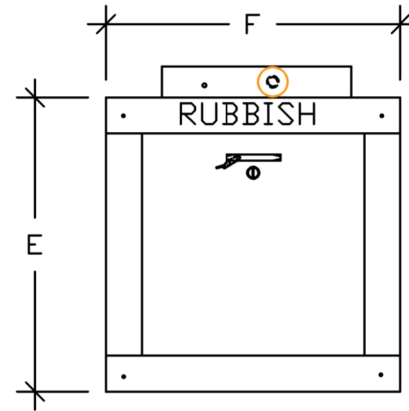
BOTTOM HINGE, PNEUMATIC OPERATED, , KEYED ALIKE, ADA COMPLIANT, STAINLESS STEEL INTAKE DOOR WITH 1.5 HR 250°F UL B LABEL



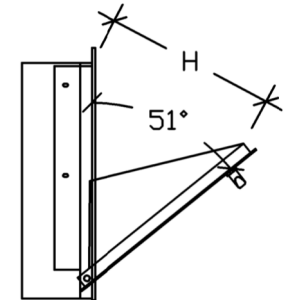
FRONT VIEW



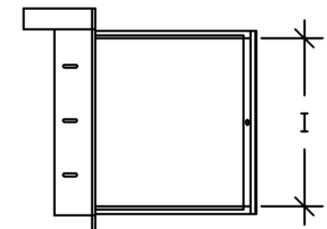
SIDE VIEW



FRONT VIEW WITH STAINLESS STEEL TRIM



SIDE VIEW W/ OPEN DOOR



TOP VIEW W/ OPEN DOOR

DOOR SIZE	A	B	C	D	W/ TRIM		CLEAR OPEN.	
					F	G	H	I
12' x 15'	18"	15"	12-1/2"	16-3/4"	19-3/4"	16-3/4"	11"	11"
15' x 18'	21"	18-1/2"	15-1/2"	19-3/4"	22-3/4"	19-3/4"	14"	14"
18' x 18'	21"	21"	18-1/2"	19-3/4"	22-3/4"	22-3/4"	14"	17"
21' x 18'	21"	24"	21-1/2"	19-3/4"	22-3/4"	25-3/4"	14"	20"
24' x 24'	27"	27 1/4"	24-1/2"	25-3/4"	28-3/4"	28-3/4"	19"	23"

TRIM EMBOSSEING	
<input type="checkbox"/>	RUBBISH
<input type="checkbox"/>	RECYCLING
<input type="checkbox"/>	SOILED LINEN
<input type="checkbox"/>	BLANK



BUCHANAN CO. INC  
5500 BOLSA AVE, SUITE 200  
HUNTINGTON BEACH, CA 92649  
(877) 374-9360

JOB NAME:

JOB #:  
Q  
Drawn By:  
JR

SCALE:  
3/4" = 1'-0"  
DATE:  
12/16/20

THESE DRAWINGS AND SPECIFICATIONS ARE THE EXCLUSIVE PROPERTY OF BUCHANAN COMPANY AND ITS SUBSIDIARIES. THESE DRAWINGS AND SPECIFICATIONS ARE PROTECTED IN THEIR ENTIRETY BY DOMESTIC AND INTERNATIONAL COPYRIGHT AND PATENT STATUTES. THE USE OF THESE DRAWINGS AND SPECIFICATIONS SHALL BE RESTRICTED TO THE ORIGINAL USE FOR WHICH THEY WERE PREPARED. ANY UNAUTHORIZED USE, REPRODUCTION, PUBLICATION, DISTRIBUTION OR SALE IN WHOLE OR IN PART, IS STRICTLY PROHIBITED.