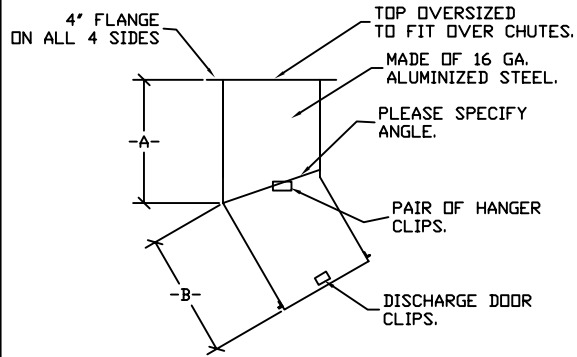
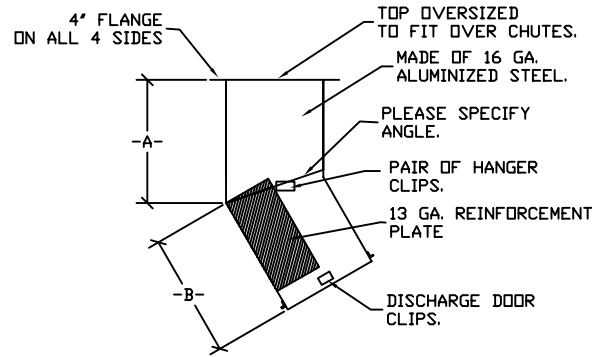


SQUARE SINGLE OFFSET

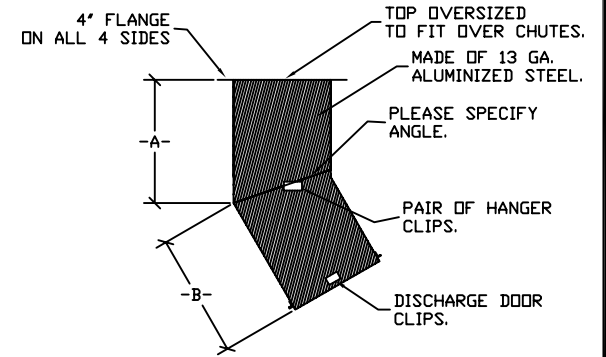
TYPE WM, 16 GA.



TYPE M, 16 GA. W/13 GA. IMPACT PLATE



TYPE W, 13 GA.



$4'' + A + B = \text{NOT TO EXCEED } 4'$

SKU	CHUTE SIZE	OFFSET THICKNESS
501032	18"X18"	'W' SERIES 13 GA.
501019	18"X18"	'M' SERIES 16 GA. W/13 GA. IMPACT PLATE.
501006	18"X18"	'WM' SERIES 16 GA.
501033	20"X20"	'W' SERIES 13 GA.
501020	20"X20"	'M' SERIES 16 GA. W/13 GA. IMPACT PLATE.
501007	20"X20"	'WM' SERIES 16 GA.
500240	24"X24"	'W' SERIES 13 GA.
500545	24"X24"	'M' SERIES 16 GA. W/13 GA. IMPACT PLATE.
500183	24"X24"	'WM' SERIES 16 GA.
501003	28"X28"	'W' SERIES 13 GA.
501021	28"X28"	'M' SERIES 16 GA. W/13 GA. IMPACT PLATE.
501008	28"X28"	'WM' SERIES 16 GA.
501034	30"X30"	'W' SERIES 13 GA.
501022	30"X30"	'M' SERIES 16 GA. W/13 GA. IMPACT PLATE.
501009	30"X30"	'WM' SERIES 16 GA.
501035	36"X36"	'W' SERIES 13 GA.
501023	36"X36"	'M' SERIES 16 GA. W/13 GA. IMPACT PLATE.
501010	36"X36"	'WM' SERIES 16 GA.
501004		CUSTOM UPCHARGE

THIS DRAWING IS PROPERTY
OF WESTERN CHUTES
1-800-755-2488

REVISIONS	
NO.	DATE

WESTERN CHUTES

JOB NAME:

DB:

DATE:

SCALE: