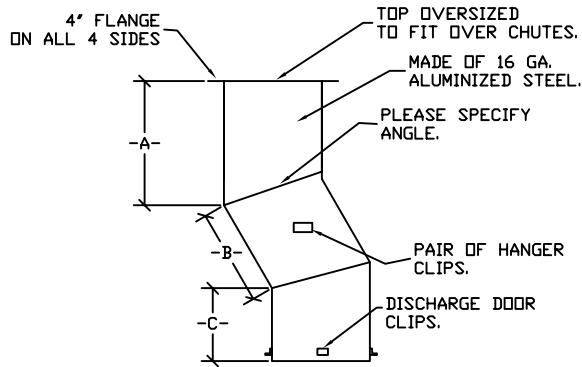
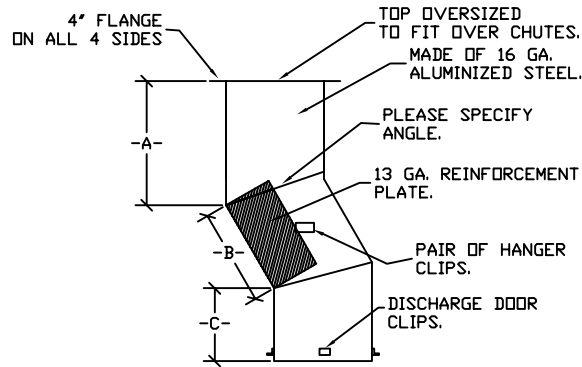


SQUARE DOUBLE OFFSET

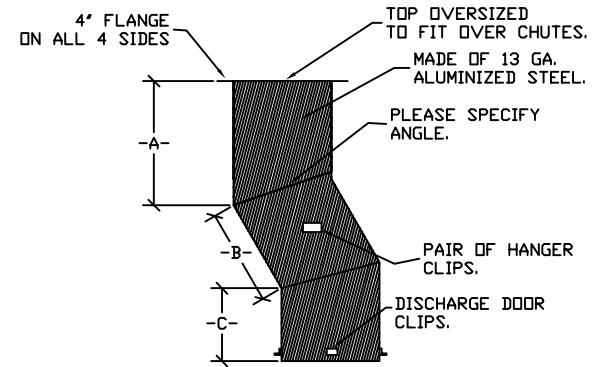
TYPE WM, 16 GA.



TYPE M, 16 GA. W/13 GA. IMPACT PLATE



TYPE W, 13 GA.



$4'' + A + B + C = \text{NOT TO EXCEED } 4'$

SKU	CHUTE SIZE	OFFSET THICKNESS
501037	18"X18"	"W" SERIES 13 GA.
501025	18"X18"	"M" SERIES 16 GA. W/13 GA. IMPACT PLATE.
501012	18"X18"	"WM" SERIES 16 GA.
501038	20"X20"	"W" SERIES 13 GA.
501026	20"X20"	"M" SERIES 16 GA. W/13 GA. IMPACT PLATE.
501013	20"X20"	"WM" SERIES 16 GA.
501039	24"X24"	"W" SERIES 13 GA.
501027	24"X24"	"M" SERIES 16 GA. W/13 GA. IMPACT PLATE.
501014	24"X24"	"WM" SERIES 16 GA.
501040	28"X28"	"W" SERIES 13 GA.
501028	28"X28"	"M" SERIES 16 GA. W/13 GA. IMPACT PLATE.
501015	28"X28"	"WM" SERIES 16 GA.
501041	30"X30"	"W" SERIES 13 GA.
501029	30"X30"	"M" SERIES 16 GA. W/13 GA. IMPACT PLATE.
501016	30"X30"	"WM" SERIES 16 GA.
501042	36"X36"	"W" SERIES 13 GA.
501030	36"X36"	"M" SERIES 16 GA. W/13 GA. IMPACT PLATE.
501017	36"X36"	"WM" SERIES 16 GA.
501004	CUSTOM UPCHARGE	

REVISIONS	
NO.	DATE

THIS DRAWING IS PROPERTY
OF WESTERN CHUTES
1-800-755-2488

WESTERN CHUTES

JOB NAME:

DB:

DATE:

SCALE: